

APPENDIX

Reference Drawings

Cap-Assembly Mounting & Terminal Locations

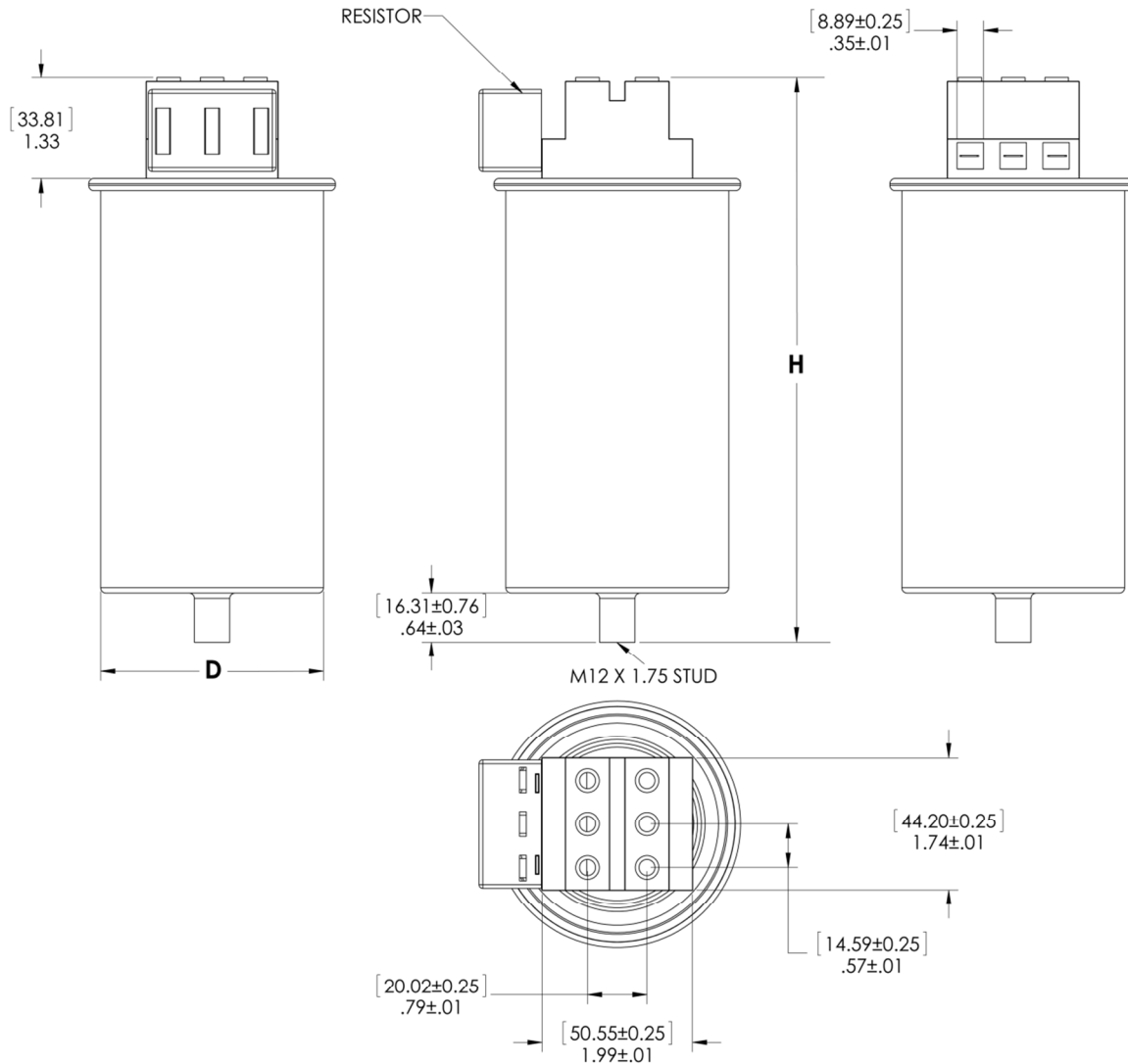


Figure A- 1

1 - Three Phase Capacitor

Refer to the MTE website, www.mtecorp.com, for detailed specifications.

Note: Height of capacitor will vary depending on the size of the filter.

Cap-Assembly Mounting & Terminal Locations

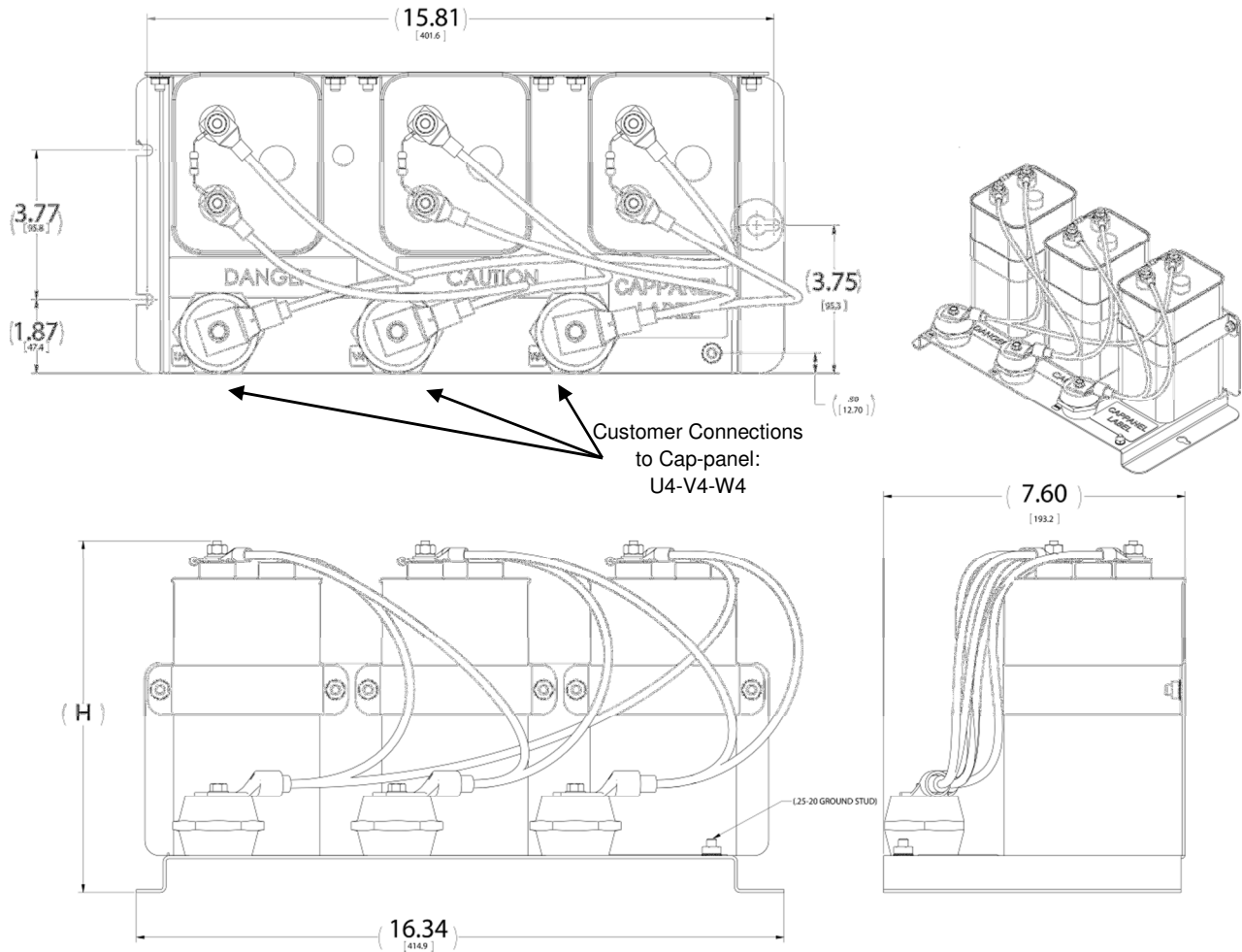


Figure A-2

3 – High Current Capacitor Panel

Refer to the MTE website, www.mtecorp.com, for detailed specifications.

Note: Height of capacitors will vary depending on the size of the filter. 690V WYE connection for W4