



PR-O-TECT Surge Protection

Help To Protect Sensitive Electronics Equipment From Dangerous Voltage Transients And Spikes.

Typical applications include:

- Adjustable Speed Drives
- SCR Controllers
- Rectifier Circuits
- Machine Tool Controls
- Packaging Equipment
- Elevator Drive Systems
- Printing Presses
- Woodworking Equipment
- Traffic Controls
- UPS Systems
- Industrial Controls

For enhanced surge/spike suppression, **PR-O-TECT surge protection modules** can be factory installed and wired onto a Three Phase Reactor. In this installation the reactor and surge protection module work together for maximum attenuation of spikes. The reactor helps to extend the module life by attenuating the most severe parts of the spike.

Installation of surge protection modules is simple— the green wire is connected to your system ground terminal. The other wires connect to each of your three phase conductors.

PR-O-TECT Three Phase Surge Protection Modules offer protection of diodes, transistors, thyristors, SCR's, etc. from dangerous voltage transients. They can reduce overall system operating costs by reducing equipment down time and maintenance costs, while improving system efficiency and reliability. Surge protectors will reduce the effect of lightning and even reduce radio frequency interference. Use PR-O-TECT Surge Protection Devices to protect adjustable speed drives, process control equipment, servo drives, uninterruptible power supplies and other sensitive electronic equipment.

PR-O-TECT



Surge Protection Devices

(Three Phase)
50/60Hz, 600 Volts Max.

SURGE PROTECTION

Application Engineering Assistance:

**1-800-455-4MTE, or
262-253-8200**

www.mtecorp.com

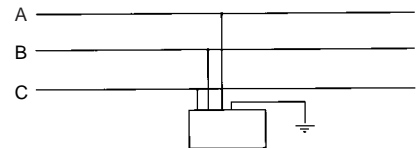
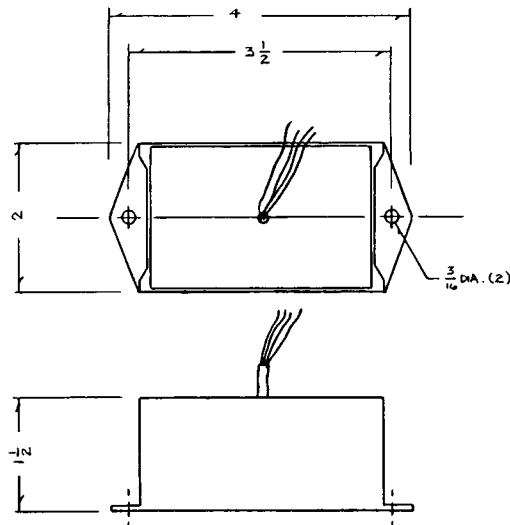
e-mail: appengrg@mtecorp.com



Selection & Specification Tables

Part Number	208 Volts	240 Volts	380 Volts	480 Volts	600 Volts
	M-1778	M-1777	M-1781	M-1776	M-1775
Rated AC Voltage	250	275	420	550	680
Average Power Dissipation	1 watt	1 watt	1 watt	1 watt	1 watt
Transient Energy (Joules)	130 j	140 j	160 j	210 j	250 j
Peak Current 8/20 us (amps)	6500	6500	6500	6500	6500
Varistor Voltage @ 1MADC ±10%	390	430	680	910	1100
Max. Clamping Voltage	650	710	1120	1500	1815
Max. Clamping Current	100	100	100	100	100
Capacitance @ 1KHz	700pf	630pf	420pf	320pf	250pf
Response Time	<15nsec	<15nsec	<15nsec	<15nsec	<15nsec
Number of Internal Mov's	3	3	3	3	3
Number of Leads	4	4	4	4	4
Operating Temperature	from -40°C to +85°C				
Wire Size	All leads are 14 AWG				

DIMENSIONS:



Delta Power System



Wye Power System

USA Headquarters
W147 N9525 Held Drive
Menomonee Falls, WI 53051 USA
Telephone: 262-253-8200
Fax: 262-253-8222
e-mail: sales@mtecorp.com